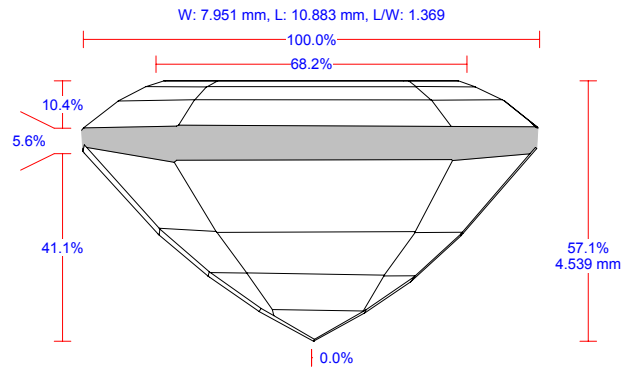


DIAMCALC FULL REPORT

Semi-polished Step Cut

General information

Model: Simple
 Expert name: Makoed A.G.
 Report date: 30.11.2006
 Real weight, ct:
 Calculated weight, ct: 3.68, 3.6786
 Spread: 0.27 ct, 6.81 %



Main parameters

Parameter		Avg	Min	Max	Dev
Width, length	mm		7.951	10.883	Ratio: 1.369
Crown height	%	10.40	9.86	11.01	1.15
Crown height	mm	0.827	0.784	0.876	0.091
Pavilion height	%	41.13	39.76	42.38	2.63
Pavilion height	mm	3.270	3.161	3.370	0.209
Corner angle width	%	19.24	18.38	20.18	1.80
Corner angle width	mm	1.530	1.461	1.604	0.143
Corner angle length	%	16.02	15.35	16.49	1.14
Corner angle length	mm	1.274	1.221	1.311	0.090
Total height	%	57.09			
Total height	mm	4.539			
Table	%	68.16	64.55	71.78	7.23
Table	mm	6.472	5.132	7.812	2.680
Culet	%	N/A	0.00	0.07	0.07
Culet	mm	N/A	0.000	0.006	0.006
Girdle thickness	%	5.56	4.19	7.47	3.28
Girdle thickness	mm	0.442	0.333	0.594	0.261

Detailed parameters

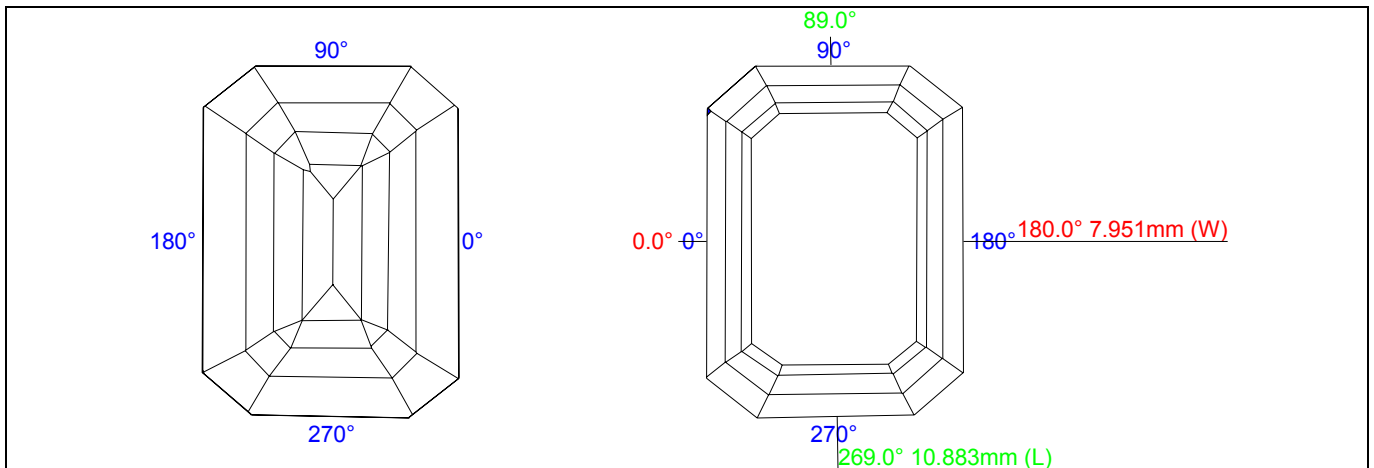
Parameter		1	2	3	4
Crown height	%	10.13	9.86	10.59	11.01
Crown height	mm	0.805	0.784	0.842	0.876
Pavilion height	%	42.38	39.76	42.31	40.05
Pavilion height	mm	3.370	3.161	3.364	3.185
Table	%	64.55	71.78		
Table	mm	5.132	7.812		
Girdle thickness	%	4.58	7.47	4.19	6.02
Girdle thickness	mm	0.364	0.594	0.333	0.479

Offset		Distance	Width wise	Length wise
Culet-Table offset by table axis	%	17.77 ± 0.25	0.44	17.76
Culet-Table offset by table axis	mm	1.413 ± 0.020	0.035	1.412
Girdle-Culet offset by table axis	%	17.30 ± 0.24	0.59	17.29
Girdle-Culet offset by table axis	mm	1.375 ± 0.019	0.047	1.374
Girdle-Table offset by table axis	%	0.50 ± 0.22	0.15	0.48
Girdle-Table offset by table axis	mm	0.040 ± 0.017	0.012	0.038
Girdle to table-culet line offset	%	3.74		
Girdle to table-culet line offset	mm	0.297		

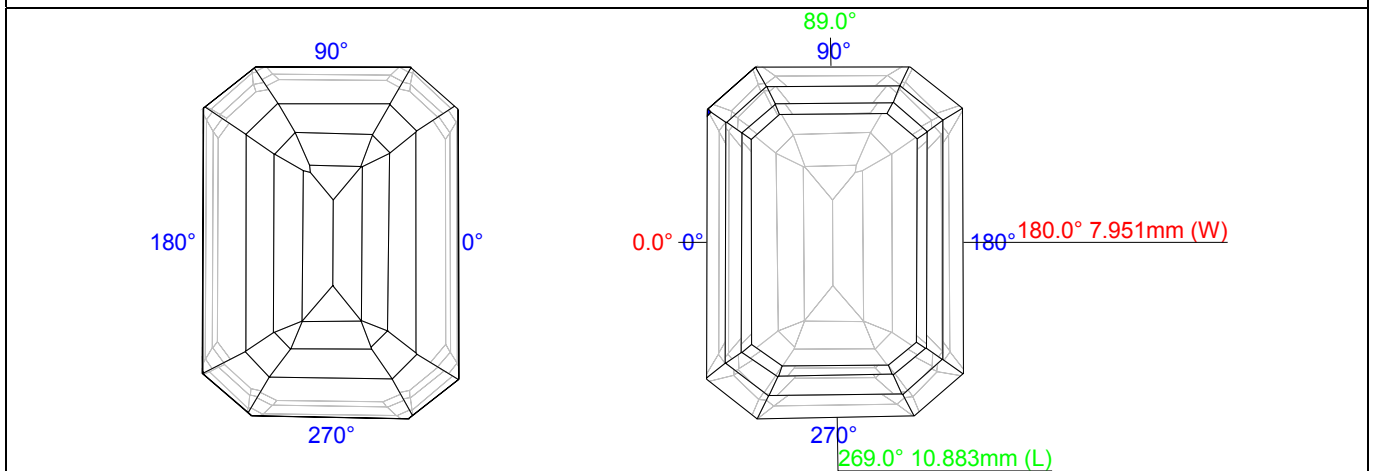
Culet shift ratio by width & length	
Width	7.951 mm, 100%
Width-wise culet shift ratio	4.040 mm, 50.81 %
Length	N/A mm, 100%
Length-wise culet shift ratio	4.129 mm, 37.94 %

Culet shift ratio by main diameter	
Main diameter (width)	7.951 mm, (100%)
Width-wise culet shift ratio	4.040 mm, 50.81 %
Length-wise culet shift ratio	4.129 mm, 51.93 %

Crown and pavilion views of the diamond with indication of the diameter minimum and maximum

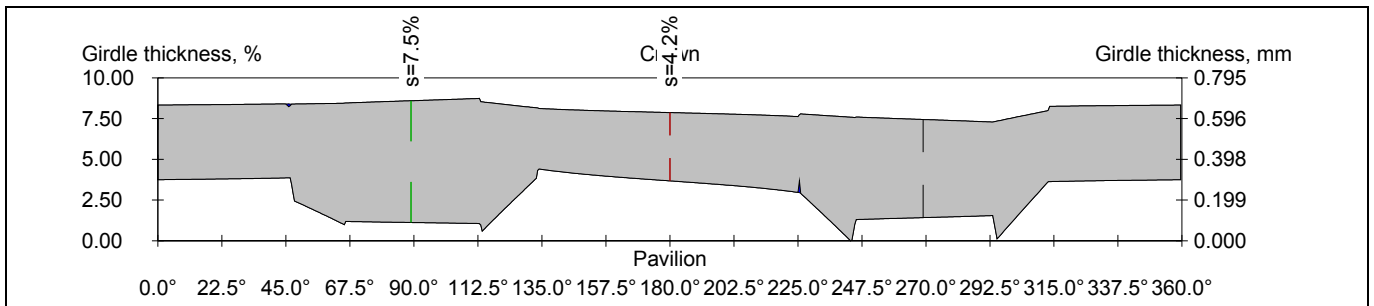


Invisible edges are hidden

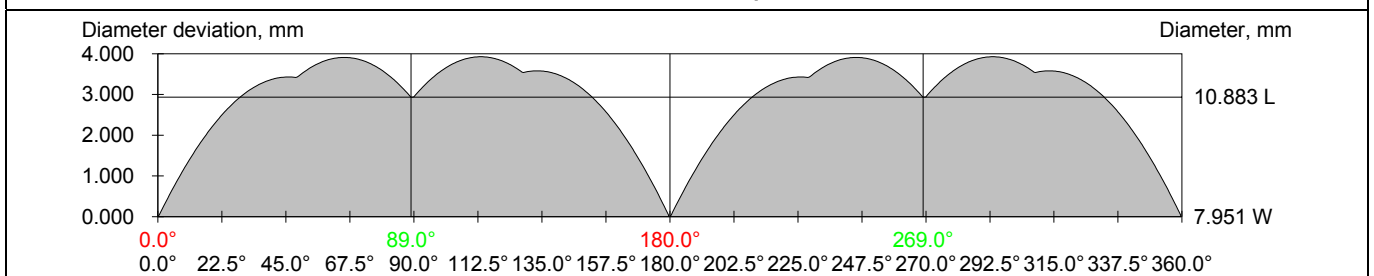


Invisible edges are drawn taking refraction into account

Plots

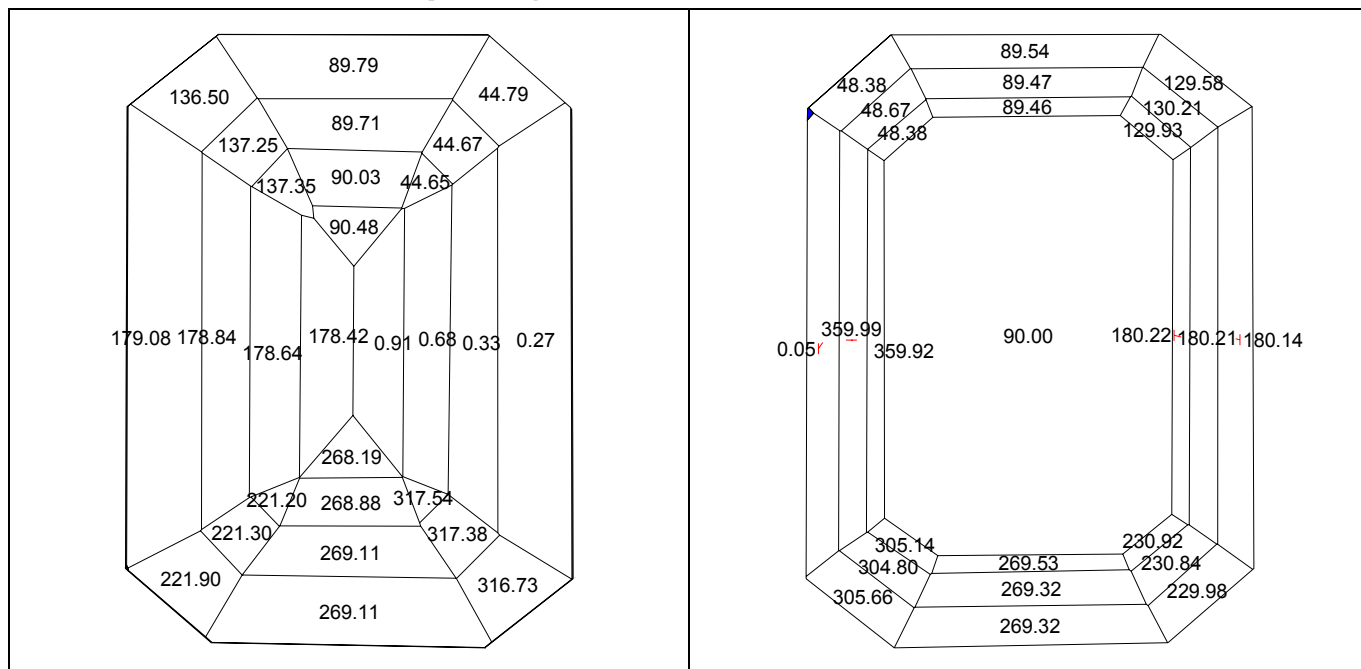


Girdle thickness plot

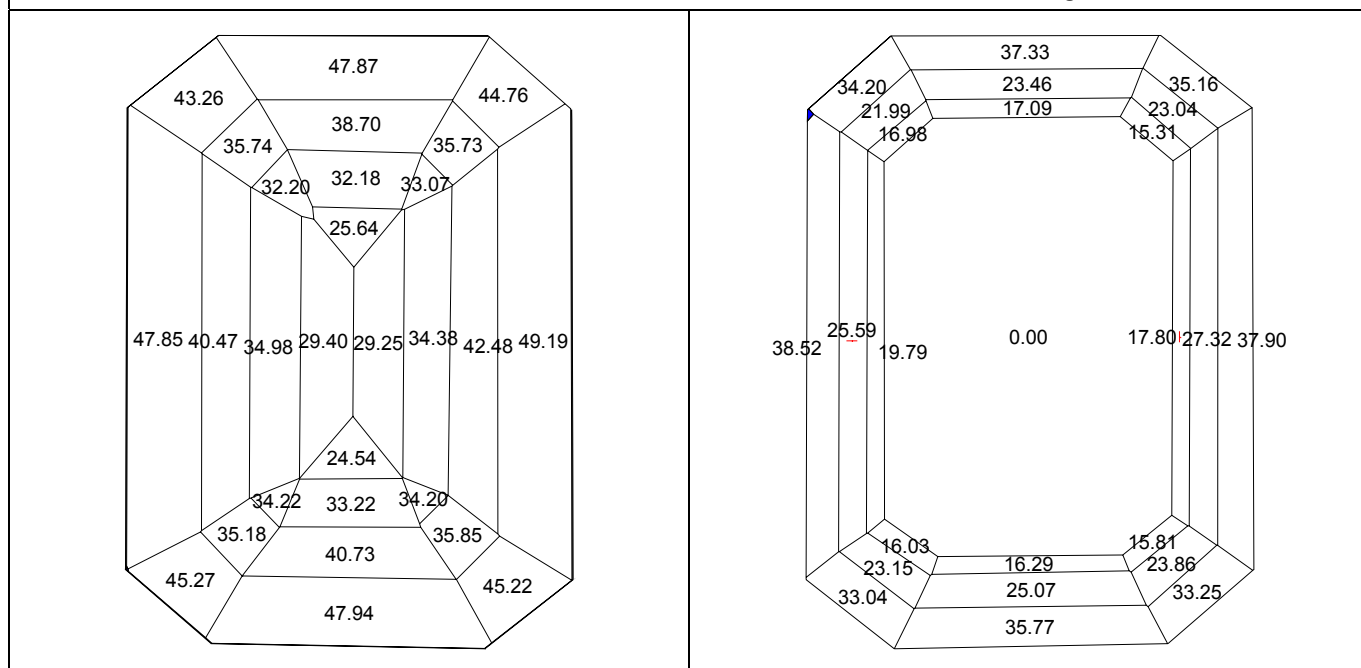


Diameter variation plot

Facets' azimuth and slope angles

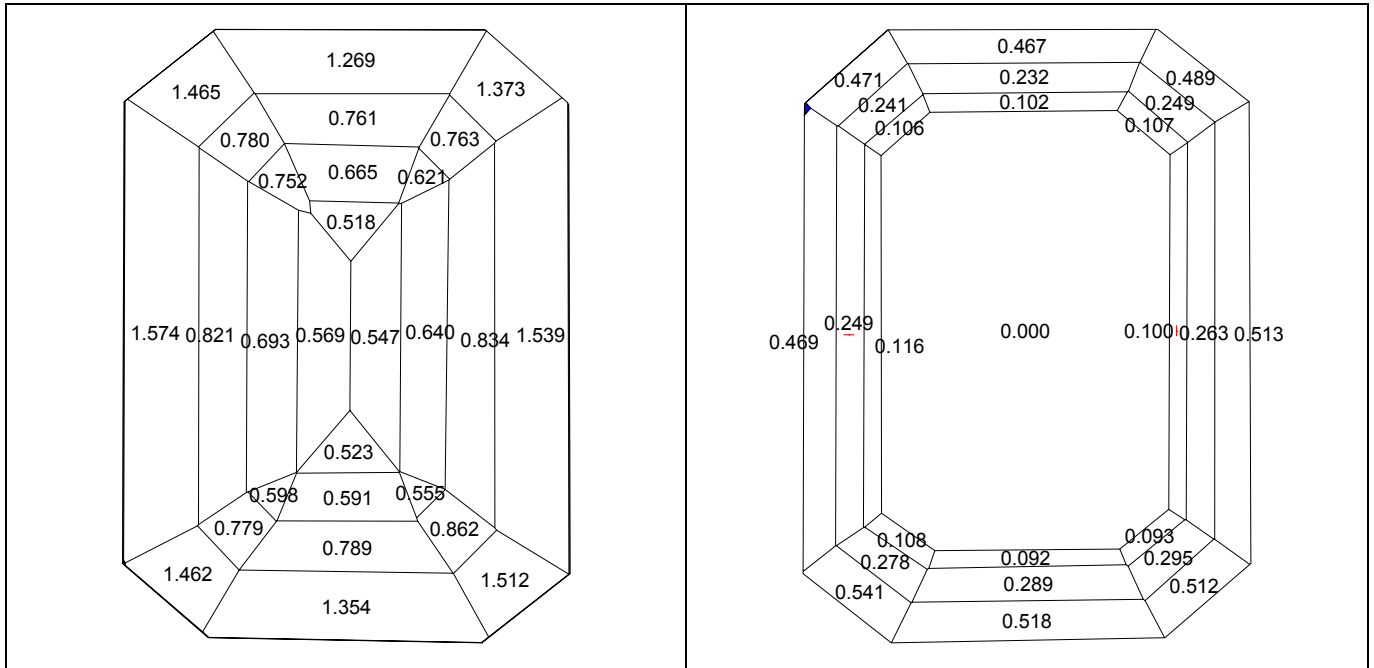


Pavilion and crown views of the diamond with indication of facets' azimuth angles

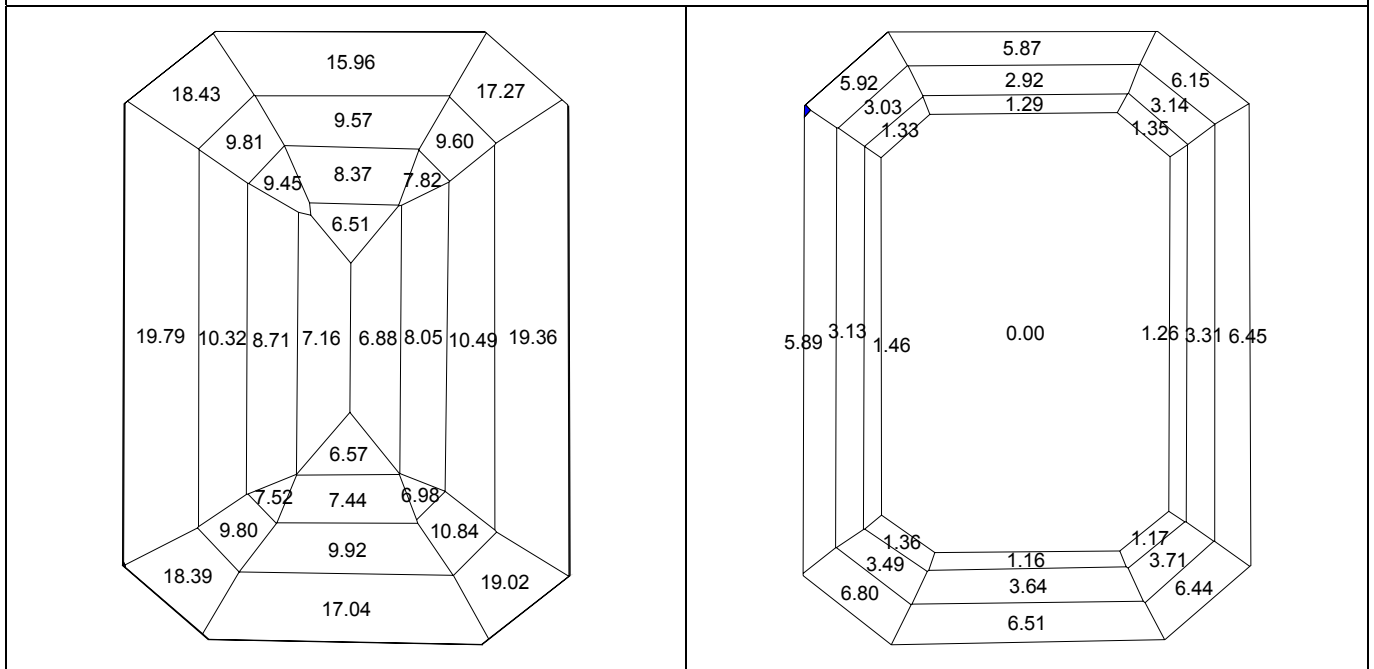


Pavilion and crown views of the diamond with indication of facets' slope angles

Facets' heights

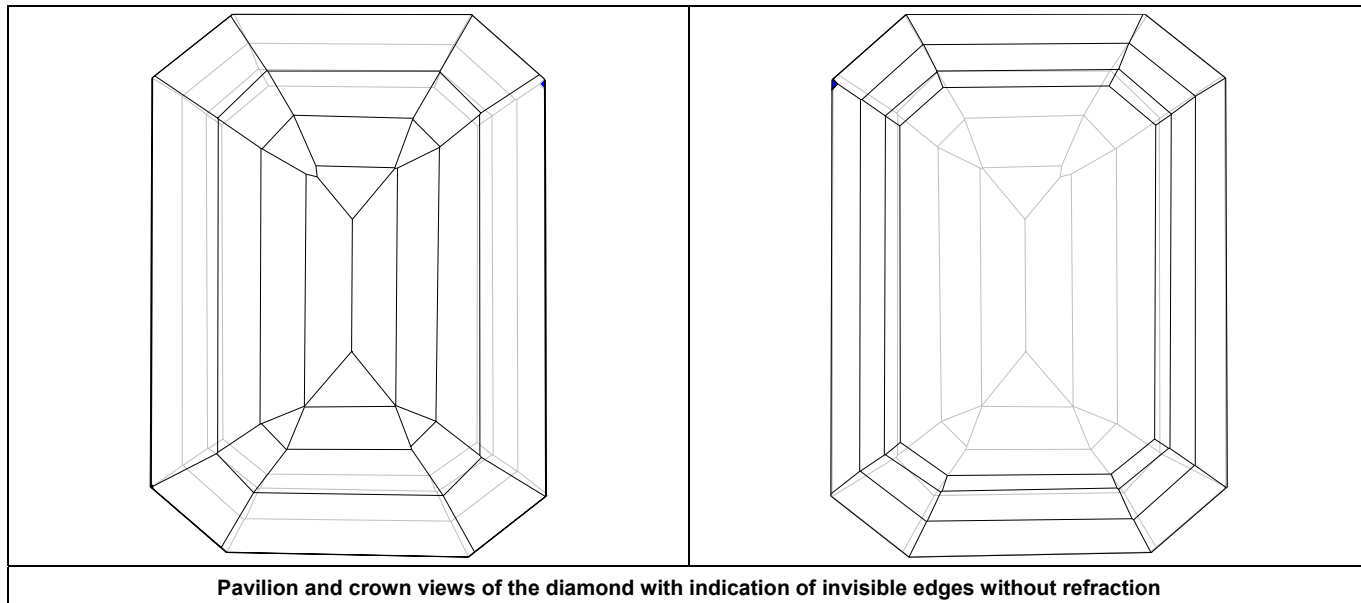





Pavilion and crown views of the diamond with indication of facets' heights (mm)



Pavilion and crown views of the diamond with indication of facets' heights (%)

Additional illustrations



	Girdle center		Culet center		Table center
---	----------------------	---	---------------------	---	---------------------