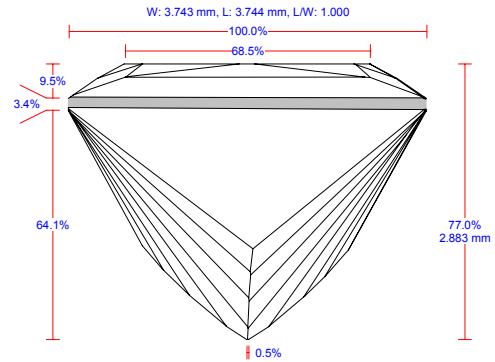


General information

Model Simple
 Expert name Makoed A.G.
 Report date 05.04.2007
 Real weight, ct
 Calculated weight, ct 0.32, 0.3267
 Appraiser title AGS_2005
 Overall cut quality 5
 Symmetry appraiser title Internal
 Overall symmetry quality VG
 Spread -0.05 ct, -17.31 %
 EF / Nat No



Main parameters

Parameter		Avg	Min	Max	Dev	Cut	Sym
Width, length	mm		3.743	3.744	Ratio: 1.000	N/A	
Corner width	%	140.33	140.27	140.39	0.12		
Corner width	mm	5.252	5.250	5.255	0.005		
Corner width ratio		1.001					
Crown height: Side	%	9.53	9.36	9.67	0.31	N/A	EX
Crown height: Side	mm	0.357	0.350	0.362	0.012		
Crown height: Corner	%	9.50	9.29	9.78	0.50		
Crown height: Corner	mm	0.356	0.348	0.366	0.019		
Pavilion height: Side	%	64.12	63.74	64.58	0.84	N/A	VG
Pavilion height: Side	mm	2.400	2.386	2.417	0.032		
Pavilion height: Corner	%	64.20	63.87	64.86	0.99		
Pavilion height: Corner	mm	2.403	2.391	2.428	0.037		
Total height	%	77.03				N/A	
Total height	mm	2.883					
Table: Side	%	68.47	68.23	68.71	0.48	Grading	EX
Table: Side	mm	2.563	2.555	2.572	0.017		
Table: Corner w.r.t. Corner	%	59.73	59.65	59.81	0.15		
Table: Corner w.r.t. Width	%	83.82	83.68	83.97	0.29		
Table: Corner	mm	3.137	3.132	3.143	0.011		
Culet	%	0.53	0.32	0.61	0.30	N/A	EX
Culet	mm	0.020	0.012	0.023	0.011		
Girdle thickness: Side	%	3.38	3.09	3.72	0.63		EX
Girdle thickness: Side	mm	0.127	0.116	0.139	0.024		
Girdle thickness: Corner	%	3.33	2.89	3.80	0.91		VG
Girdle thickness: Corner	mm	0.125	0.108	0.142	0.034		
Crown Main 1 angle	°	34.57	34.34	34.78	0.45		
Crown Main 1 height	%	5.89	5.69	6.08	0.39		
Crown Main 1 height	mm	0.220	0.213	0.228	0.014		
Crown Main 2 angle	°	28.35	28.20	28.52	0.32		
Crown Main 2 height	%	3.95	3.69	4.10	0.41		
Crown Main 2 height	mm	0.148	0.138	0.154	0.015		
Crown Star 1 angle	°	N/A	N/A	N/A	N/A		
Crown Star 1 height	%	N/A	N/A	N/A	N/A		
Crown Star 1 height	mm	N/A	N/A	N/A	N/A		
Crown Star 2 angle	°	17.38	16.65	18.35	1.70		
Crown Star 2 height	%	3.85	3.57	4.05	0.49		
Crown Star 2 height	mm	0.144	0.133	0.152	0.018		
Crown Corner angle	°	18.38	18.13	18.63	0.50		
Crown Corner height	%	8.89	8.69	9.04	0.35		
Crown Corner height	mm	0.333	0.325	0.338	0.013		
Pavilion Main angle	°	61.31	60.87	61.79	0.92		
Pavilion Main height	%	39.00	38.43	39.49	1.06		
Pavilion Main height	mm	1.460	1.439	1.478	0.040		
Chevron 1 angle	°	49.92	48.69	50.64	1.95		
Chevron 1 height	%	45.37	42.55	46.41	3.86		
Chevron 1 height	mm	1.698	1.593	1.737	0.144		
Chevron 2 angle	°	46.34	45.21	47.08	1.88		
Chevron 2 height	%	50.79	46.64	52.24	5.60		
Chevron 2 height	mm	1.901	1.746	1.955	0.210		

Parameter		Avg	Min	Max	Dev	Cut	Sym
Chevron 3 angle	°	44.16	43.27	44.75	1.48		
Chevron 3 height	%	59.49	58.34	60.56	2.21		
Chevron 3 height	mm	2.227	2.184	2.267	0.083		
Chevron 4 angle	°	N/A	N/A	N/A	N/A		
Chevron 4 height	%	N/A	N/A	N/A	N/A		
Chevron 4 height	mm	N/A	N/A	N/A	N/A		
Chevron 5 angle	°	N/A	N/A	N/A	N/A		
Chevron 5 height	%	N/A	N/A	N/A	N/A		
Chevron 5 height	mm	N/A	N/A	N/A	N/A		
Pavilion Corner angle	°	42.57	42.07	42.93	0.85		
Pavilion Corner height	%	59.30	57.41	62.24	4.83		
Pavilion Corner height	mm	2.220	2.149	2.329	0.181		

Detailed parameters

Parameter		1	2	3	4	5	6	7	8
Corner width	%	140.39	140.27						
Corner width	mm	5.255	5.250						
Crown height: Side	%	9.67	9.36	9.53	9.57				
Crown height: Side	mm	0.362	0.350	0.357	0.358				
Crown height: Corner	%	9.78	9.29	9.36	9.57				
Crown height: Corner	mm	0.366	0.348	0.350	0.358				
Pavilion height: Side	%	63.84	64.58	64.30	63.74				
Pavilion height: Side	mm	2.389	2.417	2.407	2.386				
Pavilion height: Corner	%	63.90	64.86	63.87	64.18				
Pavilion height: Corner	mm	2.392	2.428	2.391	2.402				
Table: Side	%	68.71	68.23						
Table: Side	mm	2.572	2.555						
Table: Corner w.r.t. Corner	%	59.81	59.65						
Table: Corner w.r.t. Width	%	83.97	83.68						
Table: Corner	mm	3.143	3.132						
Girdle thickness: Side	%	3.52	3.09	3.20	3.72				
Girdle thickness: Side	mm	0.132	0.116	0.120	0.139				
Girdle thickness: Corner	%	3.35	2.89	3.80	3.29				
Girdle thickness: Corner	mm	0.125	0.108	0.142	0.123				
Crown Main 1 angle	°	34.64	34.52	34.78	34.34				
Crown Main 1 height	%	5.94	5.84	5.69	6.08				
Crown Main 1 height	mm	0.222	0.219	0.213	0.228				
Crown Main 1 azimuth	°	0.3	90.7	180.1	269.8				
Crown Main 2 angle	°	28.29	28.40	28.52	28.20				
Crown Main 2 height	%	4.10	3.69	4.02	3.98				
Crown Main 2 height	mm	0.154	0.138	0.151	0.149				
Crown Main 2 azimuth	°	0.2	90.7	180.1	269.7				
Crown Star 1 angle	°	N/A	N/A	N/A	N/A	N/A	N/A	N/A	N/A
Crown Star 1 height	%	N/A	N/A	N/A	N/A	N/A	N/A	N/A	N/A
Crown Star 1 height	mm	N/A	N/A	N/A	N/A	N/A	N/A	N/A	N/A
Crown Star 1 azimuth	°	N/A	N/A	N/A	N/A	N/A	N/A	N/A	N/A
Crown Star 2 angle	°	17.87	17.27	17.63	16.87	17.29	16.65	17.13	18.35
Crown Star 2 height	%	3.90	3.78	3.57	3.92	3.97	3.72	3.90	4.05
Crown Star 2 height	mm	0.146	0.141	0.133	0.147	0.149	0.139	0.146	0.152
Crown Star 2 azimuth	°	8.6	81.2	99.3	169.8	189.1	259.2	279.6	351.8
Crown Corner angle	°	18.63	18.23	18.13	18.54				
Crown Corner height	%	8.90	8.69	8.94	9.04				
Crown Corner height	mm	0.333	0.325	0.334	0.338				
Crown Corner azimuth	°	44.3	133.9	224.2	314.3				
Pavilion Main angle	°	60.87	60.96	61.79	61.63				
Pavilion Main height	%	38.84	39.49	38.43	39.23				
Pavilion Main height	mm	1.454	1.478	1.439	1.468				
Pavilion Main azimuth	°	0.1	91.0	180.5	269.4				
Chevron 1 angle	°	49.56	48.69	50.47	49.57	50.64	50.34	50.48	49.62
Chevron 1 height	%	46.41	46.34	45.61	44.87	42.55	45.33	45.58	46.29
Chevron 1 height	mm	1.737	1.735	1.707	1.680	1.593	1.697	1.706	1.732
Chevron 1 azimuth	°	13.9	74.8	103.5	165.2	193.8	255.0	283.4	345.0
Chevron 2 angle	°	46.16	45.21	46.56	46.09	46.45	47.08	46.81	46.35
Chevron 2 height	%	51.96	52.05	52.00	48.75	50.50	52.17	46.64	52.24
Chevron 2 height	mm	1.945	1.948	1.946	1.825	1.890	1.953	1.746	1.955
Chevron 2 azimuth	°	21.1	66.7	111.3	157.8	202.5	248.0	290.9	337.5
Chevron 3 angle	°	44.02	43.27	44.14	43.97	44.33	44.68	44.75	44.13
Chevron 3 height	%	60.56	58.79	59.21	60.43	58.34	58.77	60.48	59.33
Chevron 3 height	mm	2.267	2.200	2.216	2.262	2.184	2.200	2.264	2.221
Chevron 3 azimuth	°	28.0	58.9	119.3	150.1	210.0	240.1	297.4	329.4

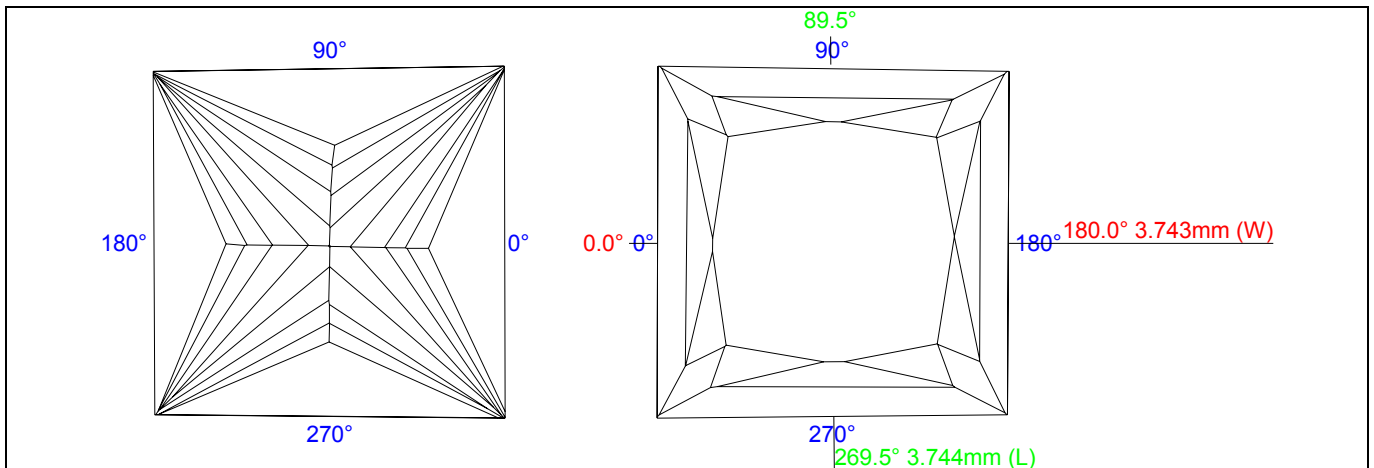
Parameter		1	2	3	4	5	6	7	8
Chevron 4 angle	°	N/A	N/A	N/A	N/A	N/A	N/A	N/A	N/A
Chevron 4 height	%	N/A	N/A	N/A	N/A	N/A	N/A	N/A	N/A
Chevron 4 height	mm	N/A	N/A	N/A	N/A	N/A	N/A	N/A	N/A
Chevron 4 azimuth	°	N/A	N/A	N/A	N/A	N/A	N/A	N/A	N/A
Chevron 5 angle	°	N/A	N/A	N/A	N/A	N/A	N/A	N/A	N/A
Chevron 5 height	%	N/A	N/A	N/A	N/A	N/A	N/A	N/A	N/A
Chevron 5 height	mm	N/A	N/A	N/A	N/A	N/A	N/A	N/A	N/A
Chevron 5 azimuth	°	N/A	N/A	N/A	N/A	N/A	N/A	N/A	N/A
Pavilion Corner angle	°	42.07	42.51	42.93	42.76				
Pavilion Corner height	%	57.41	62.24	57.43	60.14				
Pavilion Corner height	mm	2.149	2.329	2.150	2.251				
Pavilion Corner azimuth	°	43.2	133.8	224.5	313.4				
Girdle facet angle	°	89.92	89.76	89.94	89.34				
Girdle facet azimuth	°	0.1	90.9	180.3	269.4				

Offset		Distance	Width wise	Length wise
Culet-Table offset by table axis	%	1.31 ± 0.35	0.07	1.31
Culet-Table offset by table axis	mm	0.049 ± 0.013	0.003	0.049
Girdle-Culet offset by table axis	%	1.19 ± 0.34	0.71	0.95
Girdle-Culet offset by table axis	mm	0.045 ± 0.013	0.027	0.036
Girdle-Table offset by table axis	%	0.85 ± 0.29	0.78	0.35
Girdle-Table offset by table axis	mm	0.032 ± 0.011	0.029	0.013
Girdle to table-culet line offset	%	0.78		
Girdle to table-culet line offset	mm	0.029		

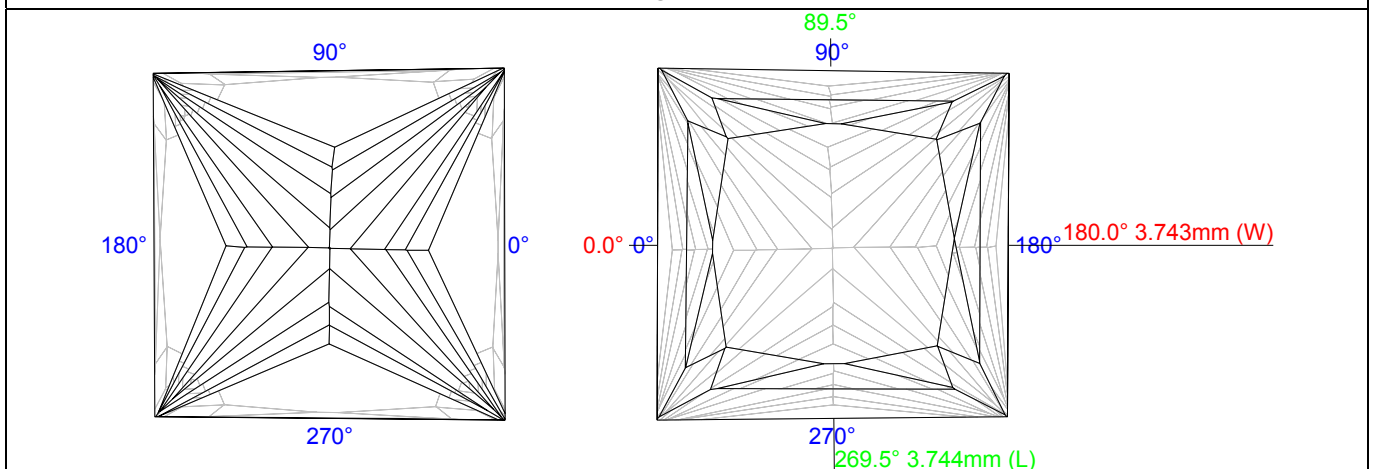
Culet shift ratio by width & length	
Width	3.743 mm, 100%
Width-wise culet shift ratio	1.877 mm, 50.15 % 1.866 mm, 49.85 %
Length	3.744 mm, 100%
Length-wise culet shift ratio	1.829 mm, 48.85 % 1.915 mm, 51.15 %

Culet shift ratio by main diameter	
Main diameter (width)	3.743 mm, 100%
Width-wise culet shift ratio	1.877 mm, 50.15 % 1.866 mm, 49.85 %
Length-wise culet shift ratio	1.829 mm, 48.87 % 1.915 mm, 51.17 %

Crown and pavilion views of the diamond with indication of the diameter minimum and maximum

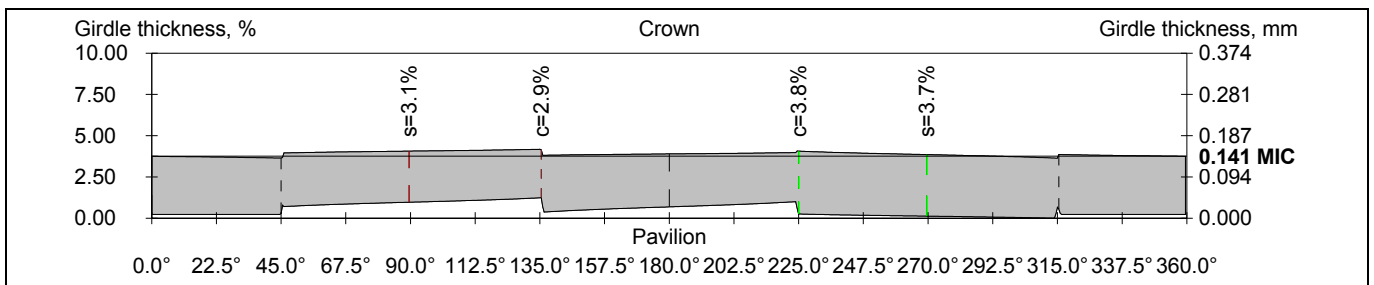


Invisible edges are hidden

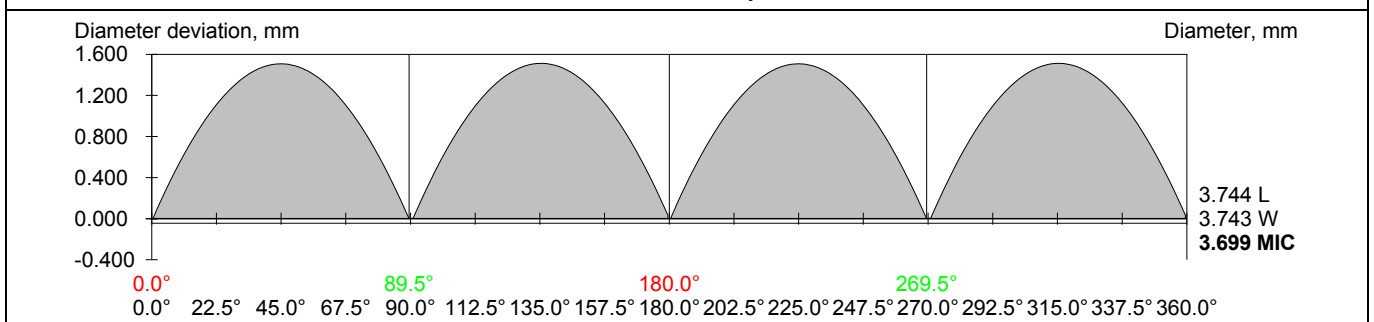


Invisible edges are drawn taking refraction into account

Plots

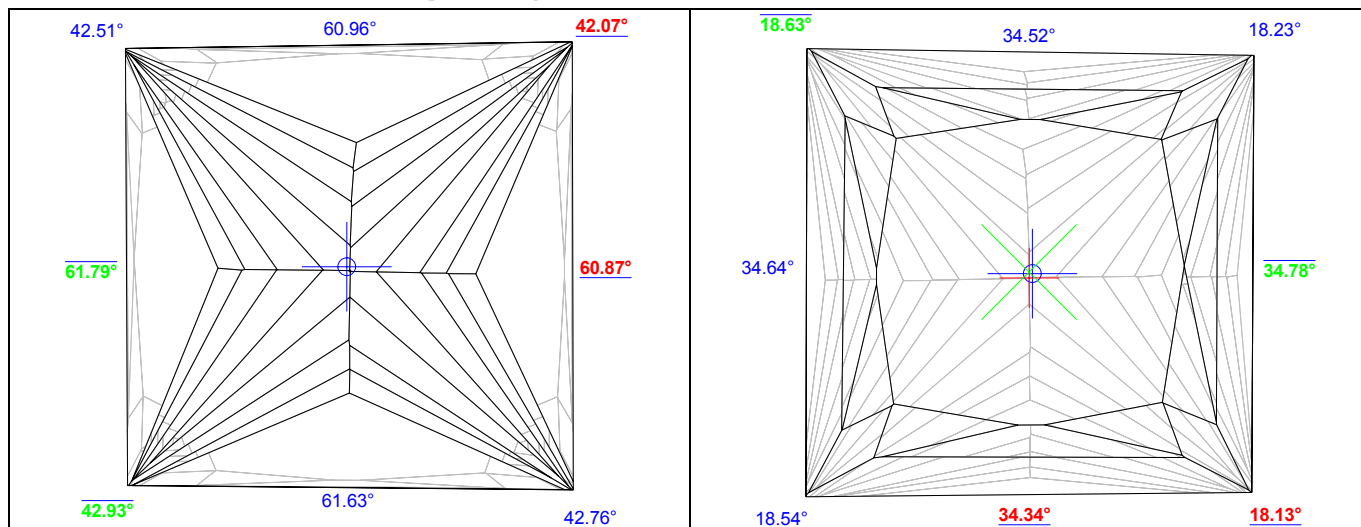


Girdle thickness plot

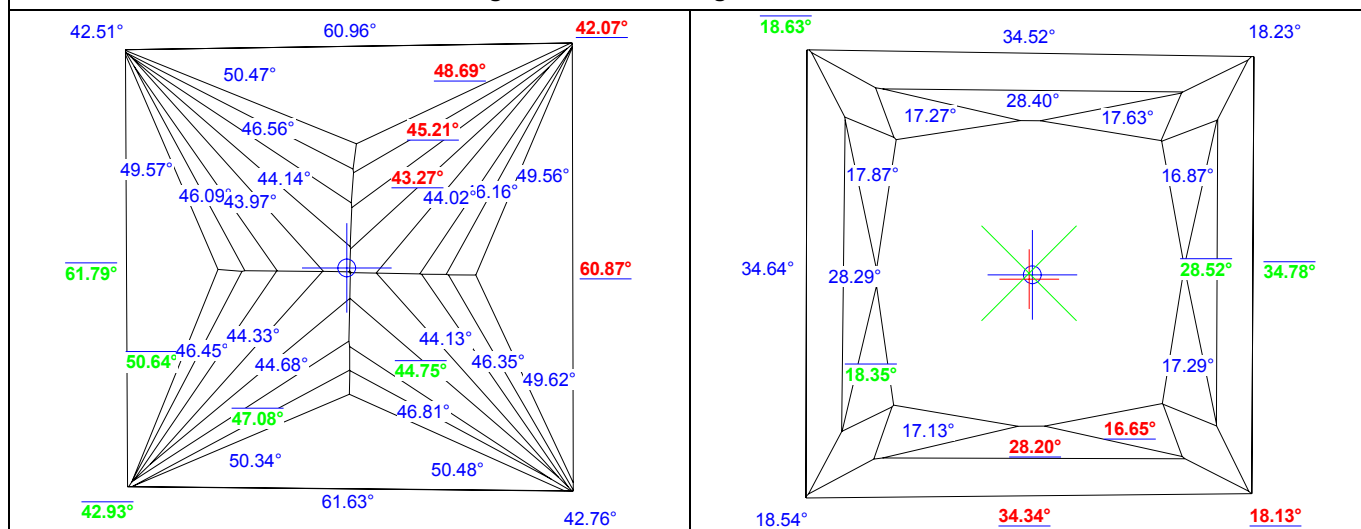


Diameter variation plot

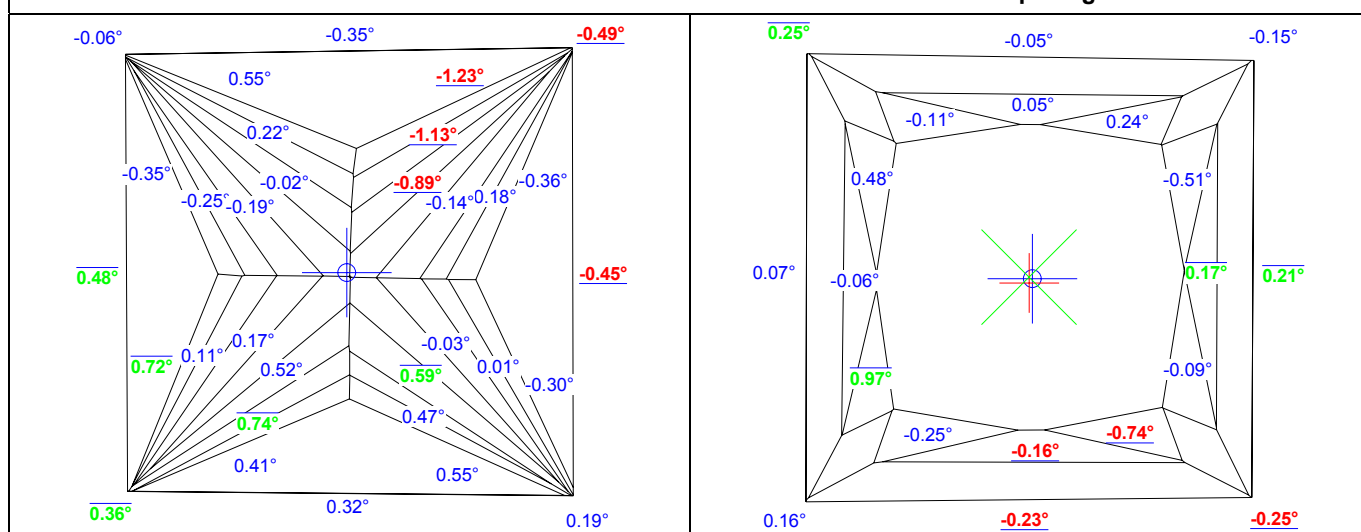
Facets' azimuth and slope angles



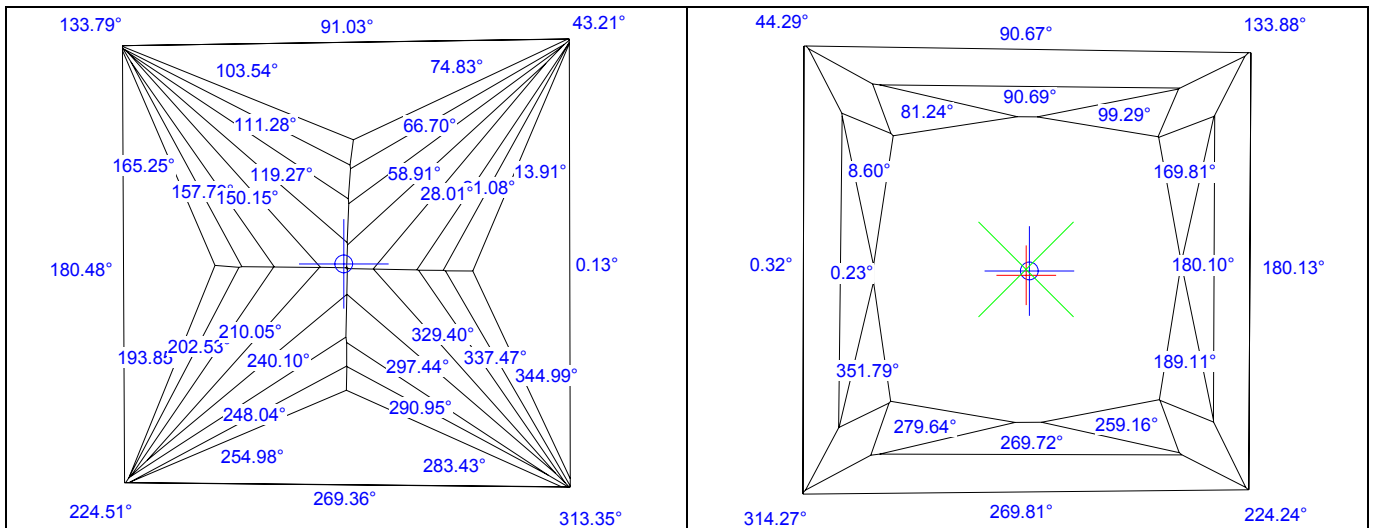
Pavilion and crown views of the diamond with indication of main facets' slope angles
Invisible edges are drawn taking refraction into account



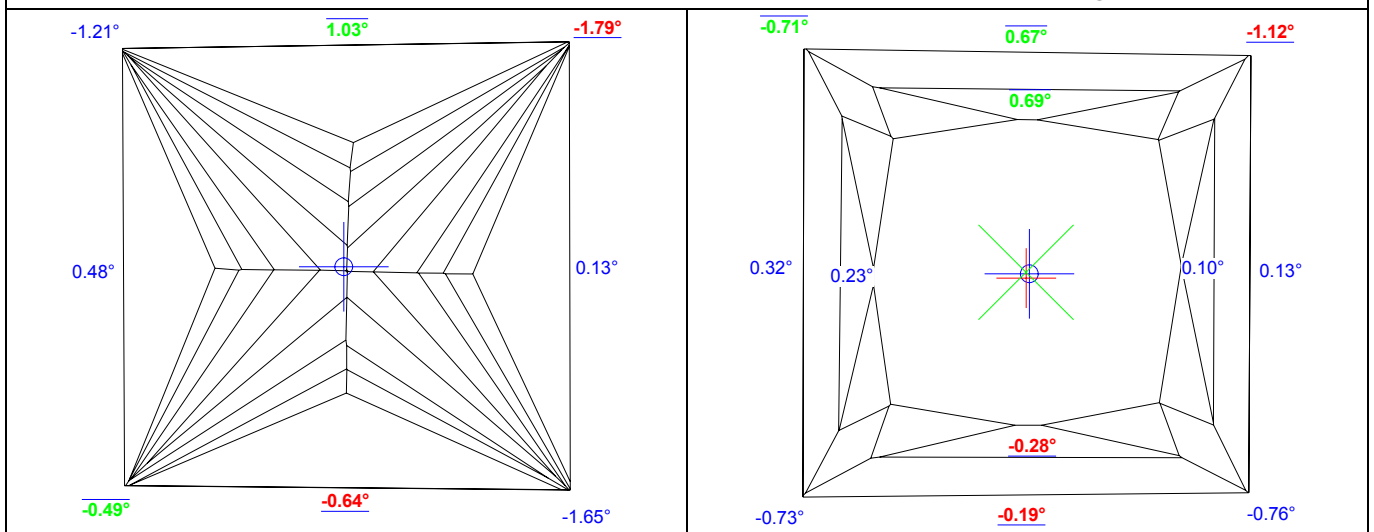
Pavilion and crown views of the diamond with indication of facets' slope angles



Pavilion and crown views of the diamond with indication of deviation of facets' slope angles from the average values

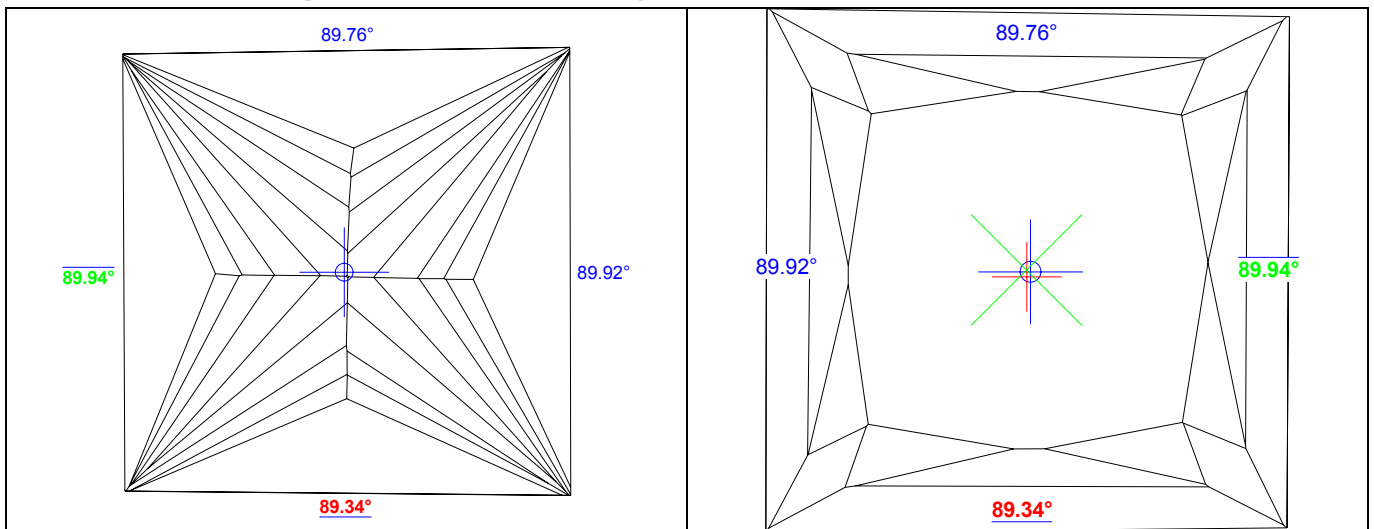


Pavilion and crown views of the diamond with indication of facets' azimuth angles

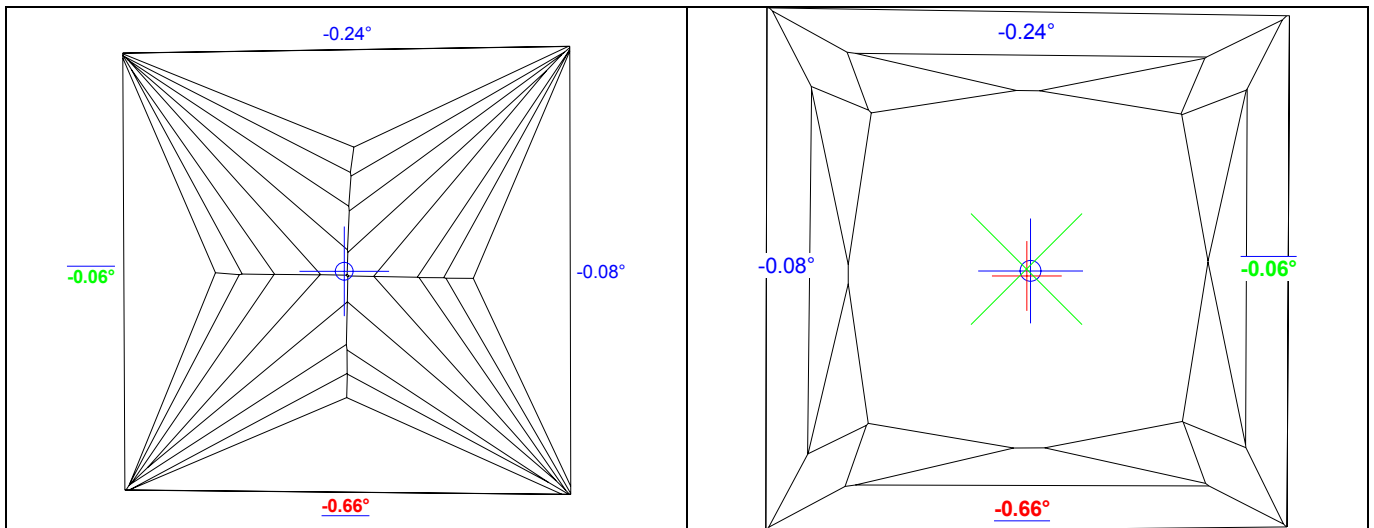


Pavilion and crown views of the diamond with indication of deviation of facets' azimuth angles from their ideal positions for the square princess

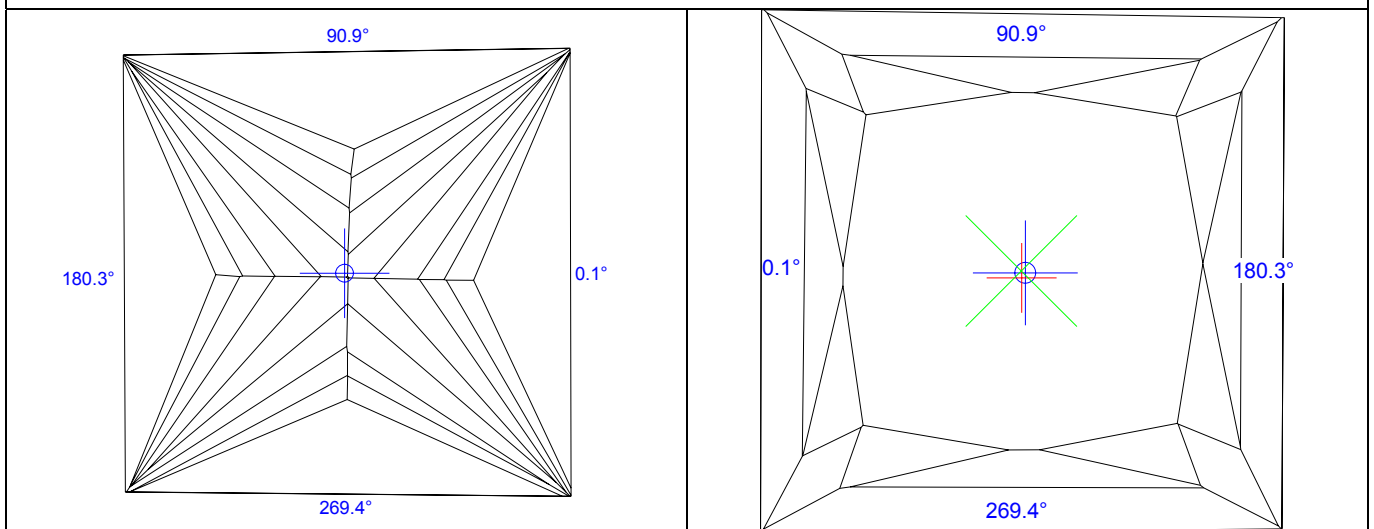
Girdle facets' slope and azimuth angles



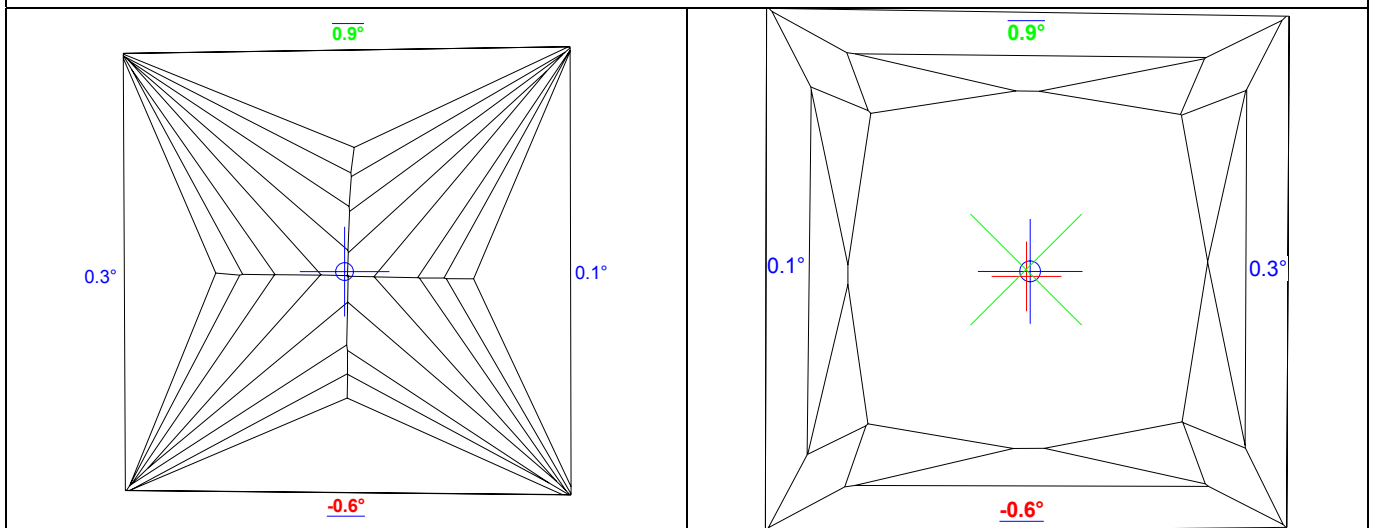
Pavilion and crown views of the diamond with indication of girdle facets' slope angles



Pavilion and crown views of the diamond with indication of deviation of girdle facets' slope angles from there ideal (90°)

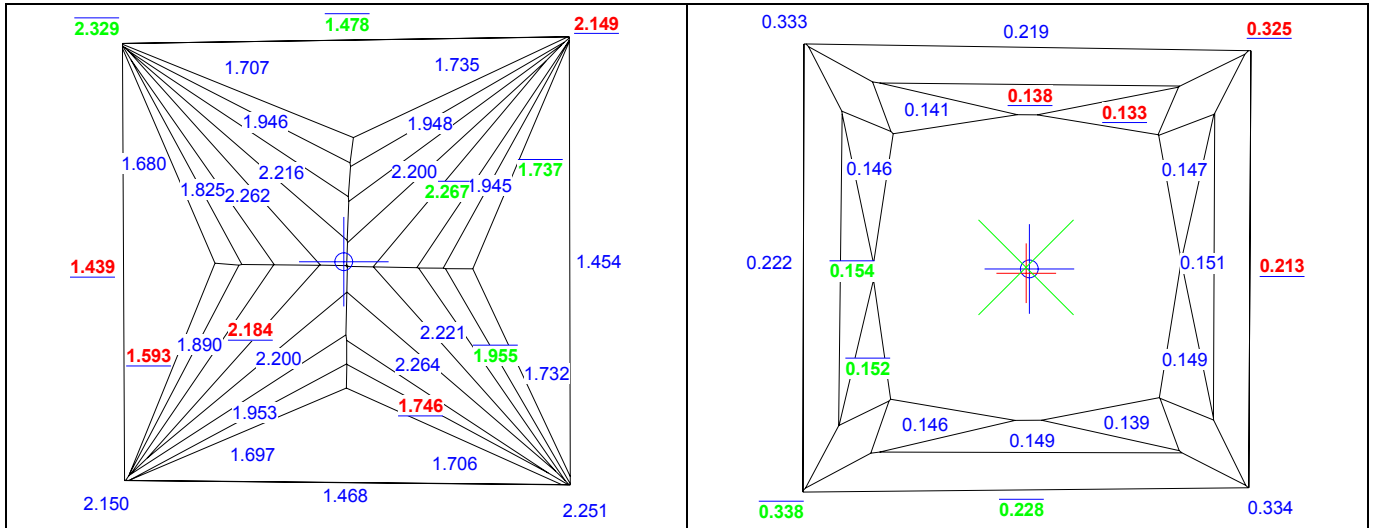


Pavilion and crown views of the diamond with indication of girdle facets' azimuth angles

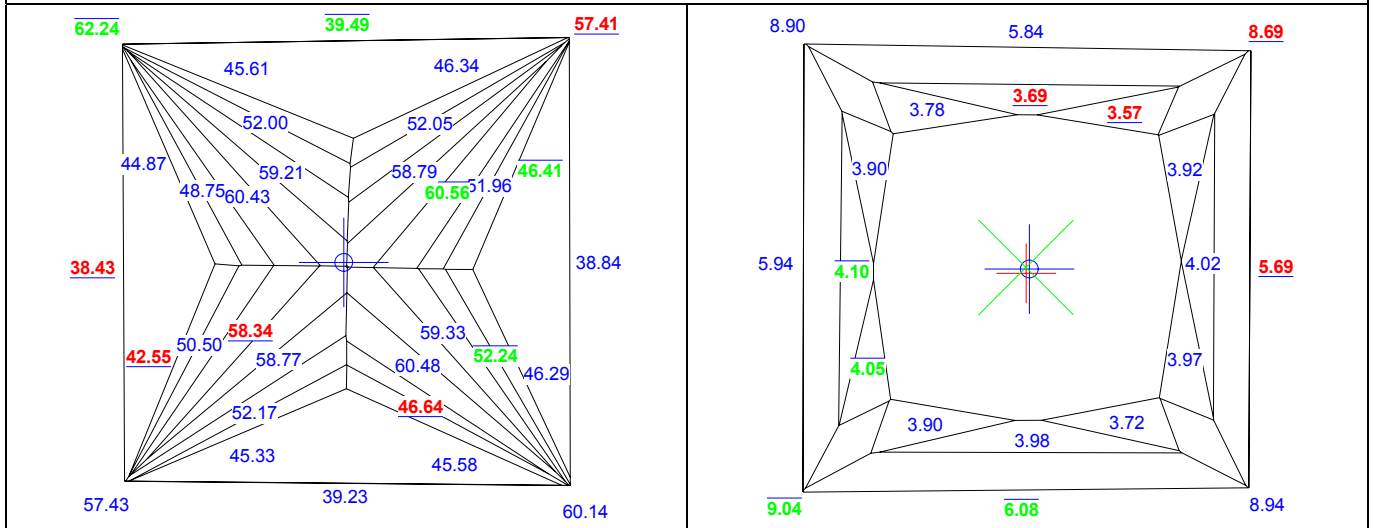


Pavilion and crown views of the diamond with indication of deviation of girdle facets' azimuth angles

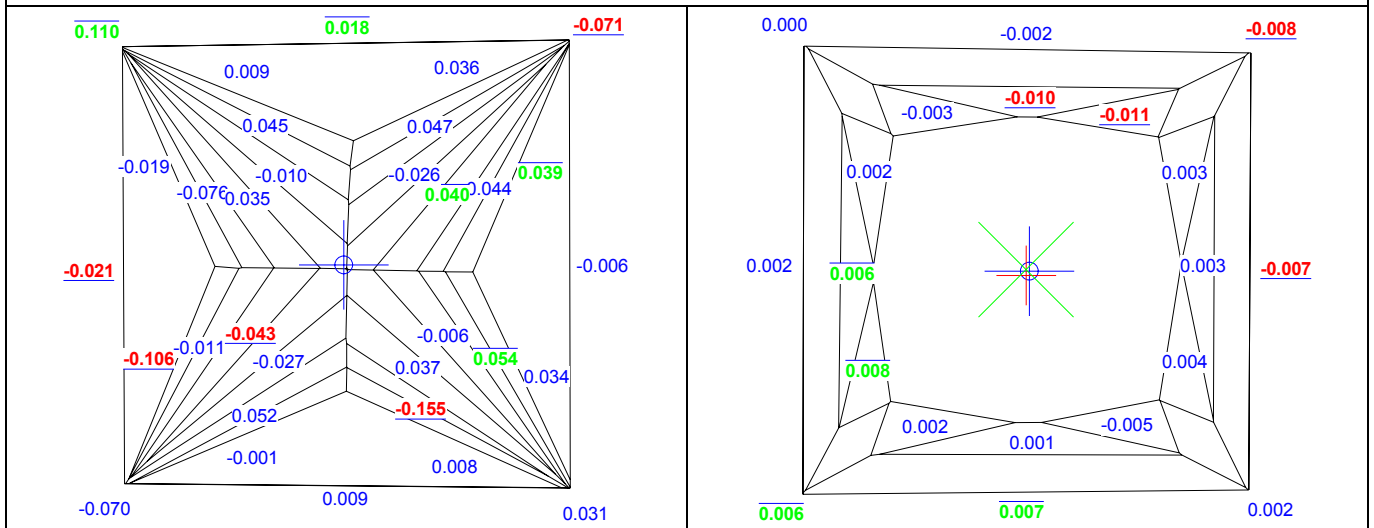
Facets' heights



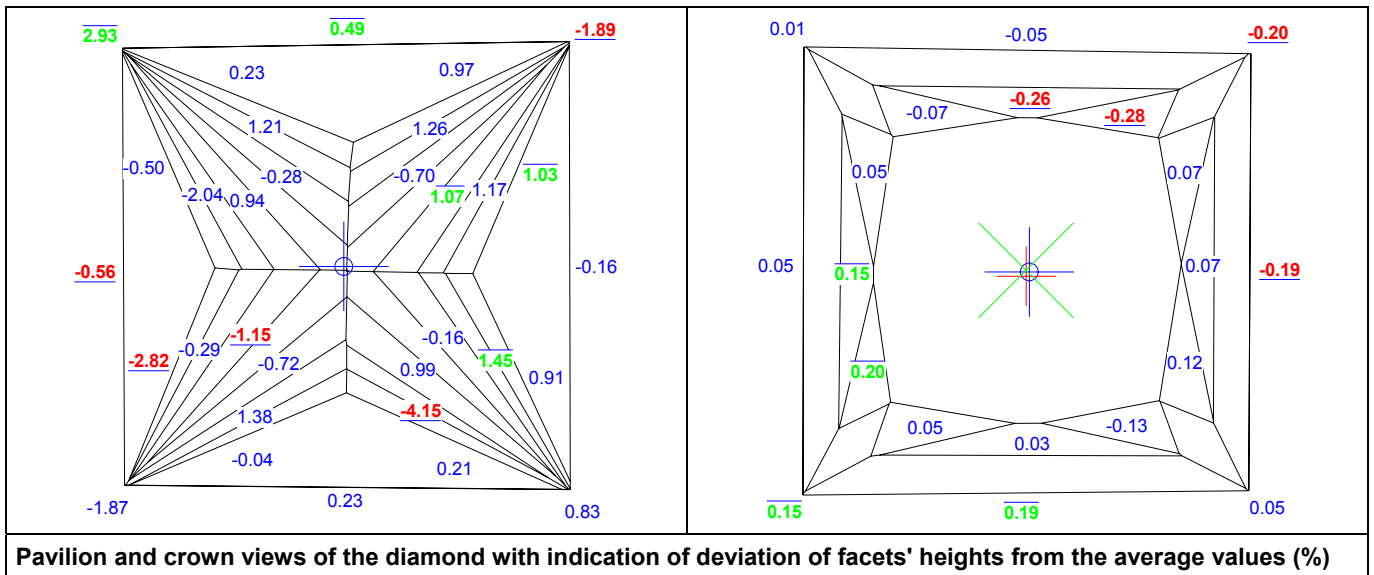
Pavilion and crown views of the diamond with indication of facets' heights (mm)



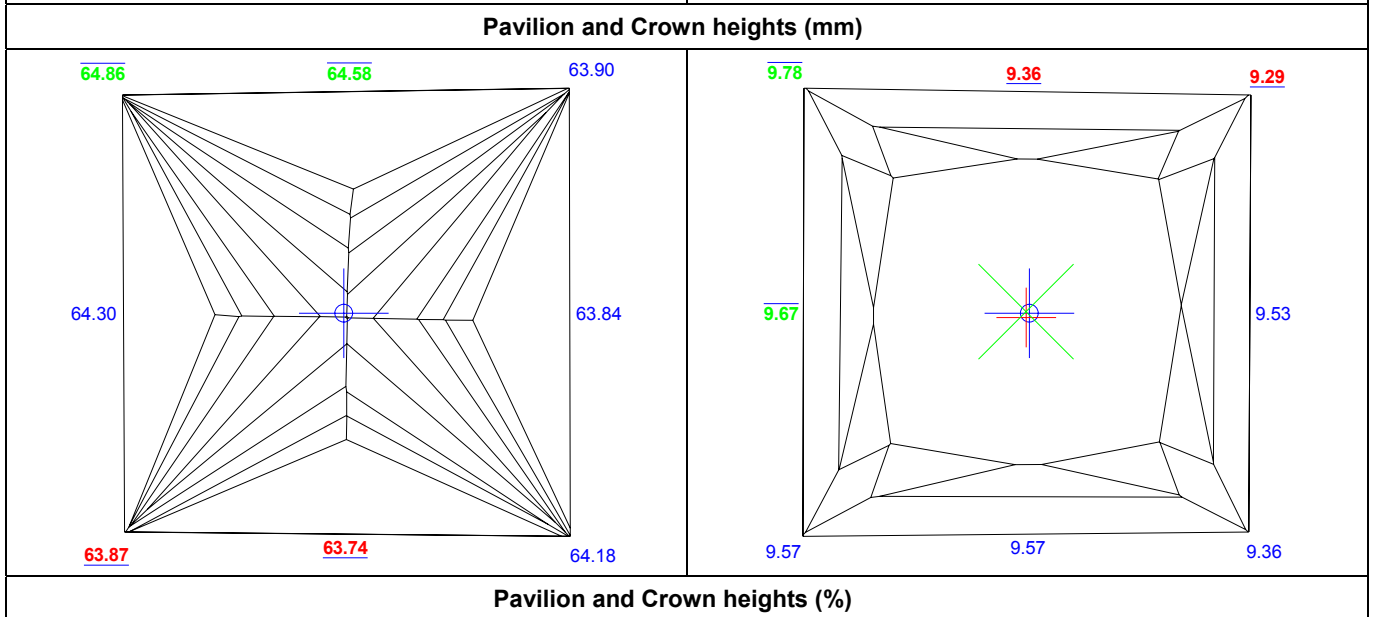
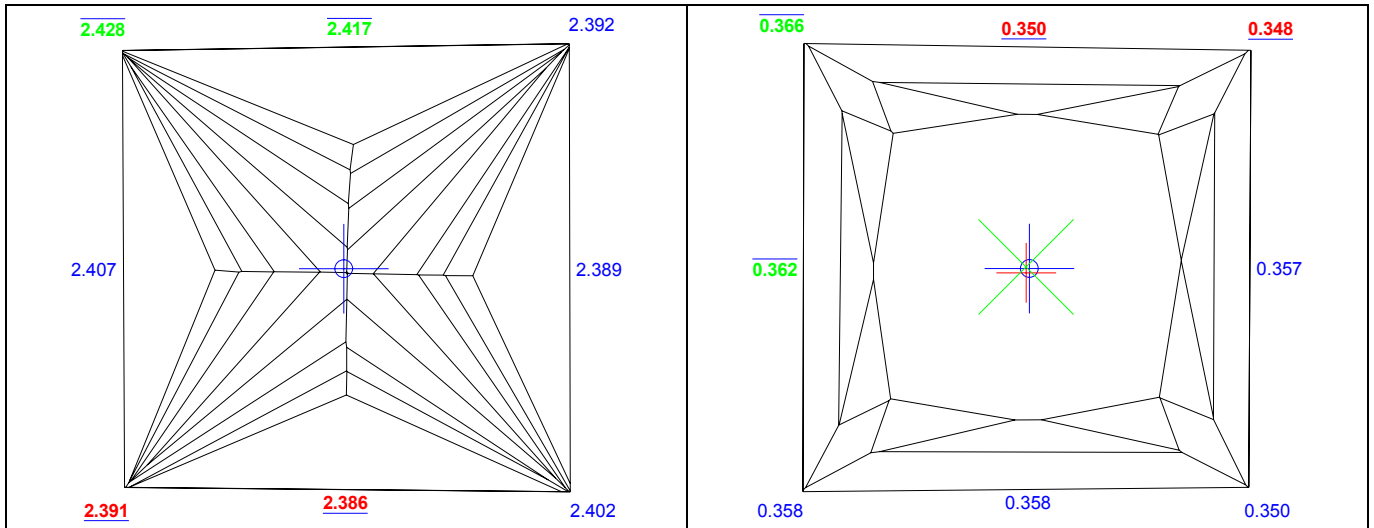
Pavilion and crown views of the diamond with indication of facets' heights (%)

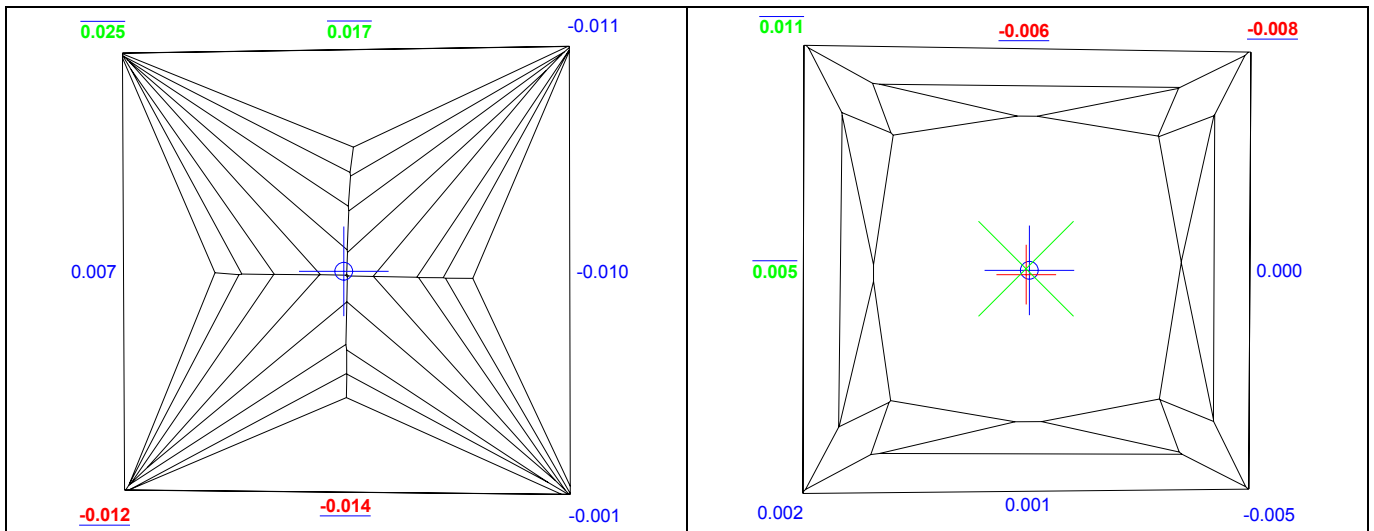


Pavilion and crown views of the diamond with indication of deviation of facets' heights from the average values (mm)

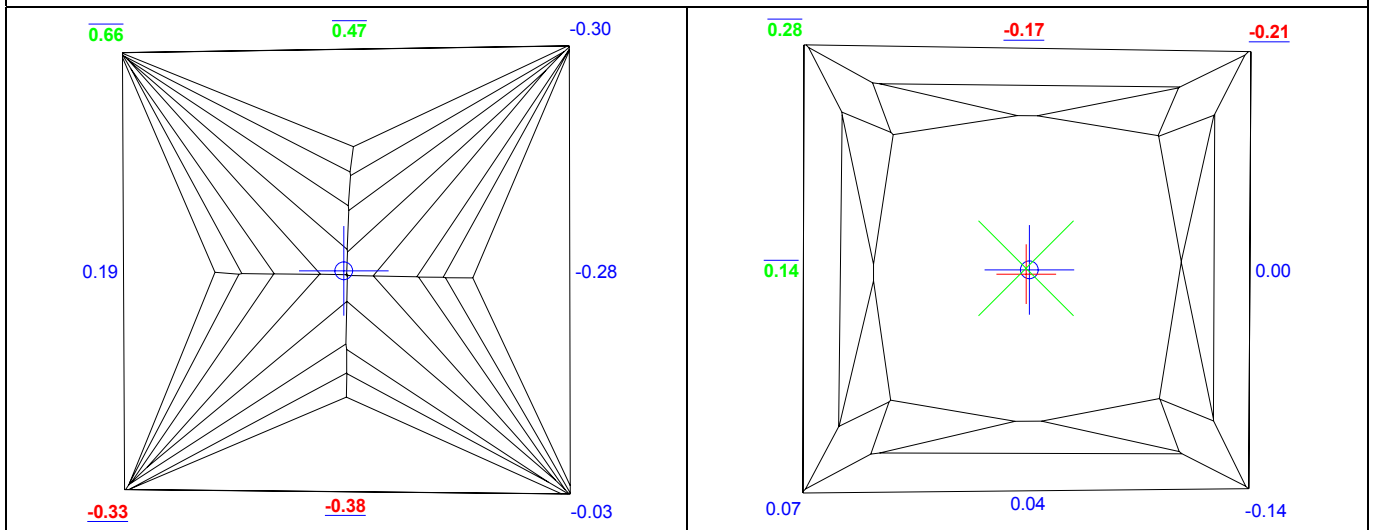


Pavilion and Crown heights



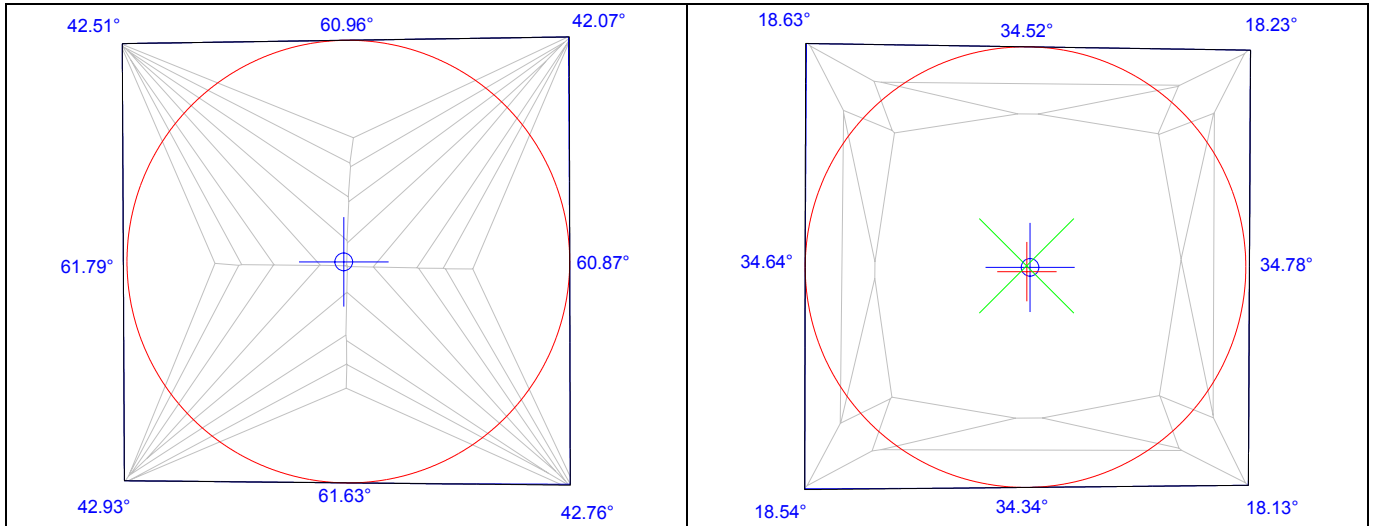


Deviations of Pavilion and Crown heights from the average values (mm)

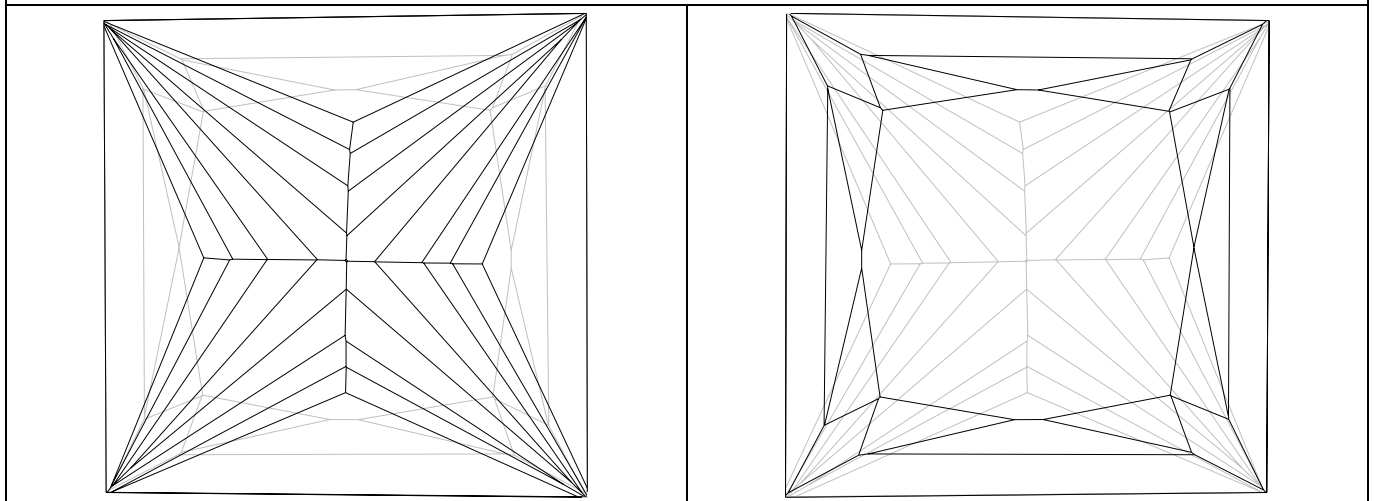


Deviations of Pavilion and Crown heights from the average values (%)




Additional Illustrations



Pavilion and crown views of the diamond with indication of the maximum circle that may be inscribed (MIC) in the girdle outline along with the section of the model in the circle's plane



Pavilion and crown views of the diamond with indication of invisible edges without refraction

	Girdle center		Culet center		Table center
---	----------------------	---	---------------------	---	---------------------