

# ILLUSTRATED REPORT FOR PRINCESS

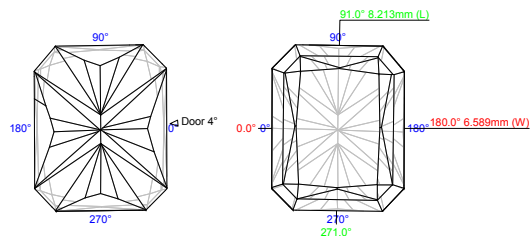
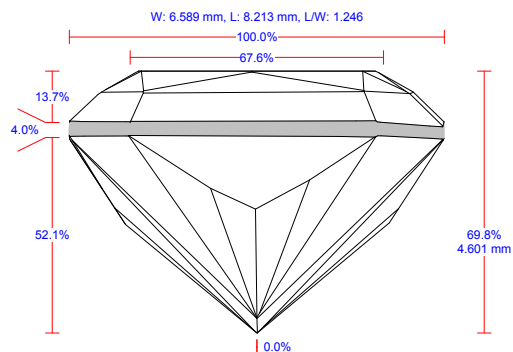
Polished Prince

30.06.2008

Model Simple  
 Expert name Makoed A.G.  
 Real weight, ct 1.00  
 Calculated weight, ct 2.02, 2.0218  
 Spread -0.06 ct, -2.94 %  
 Extra Facet / Nat No

| Width    | Length   | Ratio (L/W) | Corner Ratio | Diameter Minimum | Diameter Maximum |
|----------|----------|-------------|--------------|------------------|------------------|
| 6.589 mm | 8.213 mm | 1.246       | 1.004        | 6.589 mm         | 9.322 mm         |

| Total height | Crown height: Side | Pavilion height: Side | Table: Side | Girdle: Side | Culet    |
|--------------|--------------------|-----------------------|-------------|--------------|----------|
| 4.601 mm     | 0.903 mm           | 3.433 mm              | 5.038 mm    | 0.265 mm     | 0.000 mm |



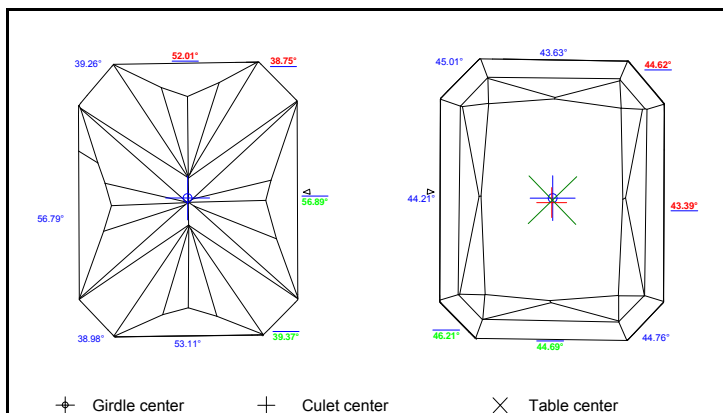
Appraiser title  
 Overall cut quality  
 Symmetry appraiser title  
 Overall symmetry quality

GIA\_PCTG\_StarCul\_Boundaries  
 N/A  
 Internal  
 PR

|                     |  |
|---------------------|--|
| <b>Color</b>        |  |
| <b>Clarity</b>      |  |
| <b>Polish</b>       |  |
| <b>Fluorescence</b> |  |

| Parameters           | Avg        | Min    | Max    | Dev   | Cut   | Sym |    |
|----------------------|------------|--------|--------|-------|-------|-----|----|
| Corner width, %      | 141.22     | 140.97 | 141.47 | 0.50  |       |     |    |
| Crown height         | Side, %    | 13.71  | 13.35  | 14.10 | 0.75  | N/A | VG |
|                      | Corner, %  | 13.50  | 13.28  | 13.62 | 0.35  |     |    |
| Pavilion height      | Side, %    | 52.10  | 51.59  | 52.65 | 1.07  | N/A | VG |
|                      | Corner, %  | 52.59  | 52.47  | 52.75 | 0.28  |     |    |
| Total height, %      | N/A        |        |        |       | N/A   |     |    |
| Table: Side, %       | 67.58      | 63.13  | 72.04  | 8.91  | N/A   | PR  |    |
| Table: Corn, %       | 72.34      | 72.30  | 72.38  | 0.08  |       |     |    |
| Corn w.r.t. Width, % | 102.16     | 101.92 | 102.39 | 0.47  |       |     |    |
| Girdle: Side, %      | 4.02       | 3.61   | 4.38   | 0.77  |       | VG  |    |
| Thickn. Corner, %    | 3.75       | 3.65   | 3.81   | 0.17  |       | EX  |    |
| Culet, %             | 0.00       | 0.00   | 0.00   | 0.00  | N/A   | EX  |    |
| Corner width, mm     | 9.305      | 9.289  | 9.322  | 0.033 |       |     |    |
| Crown height         | Side, mm   | 0.903  | 0.880  | 0.929 | 0.049 | N/A | VG |
|                      | Corner, mm | 0.889  | 0.875  | 0.898 | 0.023 |     |    |
| Pavilion height      | Side, mm   | 3.433  | 3.399  | 3.469 | 0.070 | N/A | VG |
|                      | Corner, mm | 3.465  | 3.457  | 3.475 | 0.018 |     |    |
| Table: Side, mm      | 5.038      | 4.160  | 5.916  | 1.757 | N/A   |     |    |
| Table: Corner, mm    | 6.731      | 6.715  | 6.747  | 0.031 |       |     |    |
| Girdle: Side, mm     | 0.265      | 0.238  | 0.289  | 0.051 |       | VG  |    |
| Thickn. Corner, mm   | 0.247      | 0.240  | 0.251  | 0.011 |       | EX  |    |
| Culet, mm            | 0.000      | 0.000  | 0.000  | 0.000 |       | EX  |    |

| Facet angles, ° | Avg   | Min   | Max   | Dev  |
|-----------------|-------|-------|-------|------|
| Crown Main 1    | 43.98 | 43.39 | 44.69 | 1.30 |
| Crown Main 2    | N/A   | N/A   | N/A   | N/A  |
| Crown Star 1    | N/A   | N/A   | N/A   | N/A  |
| Crown Star 2    | N/A   | N/A   | N/A   | N/A  |
| Crown Corner    | 45.15 | 44.62 | 46.21 | 1.59 |
| Pavilion Main   | 54.70 | 52.01 | 56.89 | 4.88 |
| Chevron 1       | N/A   | N/A   | N/A   | N/A  |
| Chevron 2       | N/A   | N/A   | N/A   | N/A  |
| Chevron 3       | N/A   | N/A   | N/A   | N/A  |
| Chevron 4       | N/A   | N/A   | N/A   | N/A  |
| Chevron 5       | N/A   | N/A   | N/A   | N/A  |
| Pavilion Corner | 39.09 | 38.75 | 39.37 | 0.61 |

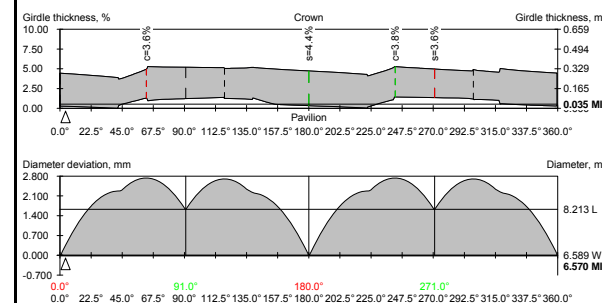


|                                   |                  |                   |
|-----------------------------------|------------------|-------------------|
| Girdle-Culet offset by table axis | 2.01 ± 0.29, %   | 0.133 ± 0.019, mm |
| Girdle-Table offset by table axis | 0.90 ± 0.26, %   | 0.059 ± 0.017, mm |
| Table-Culet offset by table axis  | 1.12 ± 0.31, %   | 0.074 ± 0.020, mm |
| Girdle to table-culet line offset | 1.15 %, 0.076 mm |                   |

| 1      | 2      | 3     | 4     | Facet azimuth angles |
|--------|--------|-------|-------|----------------------|
| 141.47 | 140.97 |       |       |                      |
| 14.10  | 13.35  | 13.81 | 13.57 |                      |
| 13.60  | 13.49  | 13.28 | 13.62 |                      |
| 51.59  | 52.52  | 51.64 | 52.65 |                      |
| 52.59  | 52.54  | 52.75 | 52.47 |                      |
| 63.13  | 72.04  |       |       |                      |
| 72.38  | 72.30  |       |       |                      |
| 102.39 | 101.92 |       |       |                      |
| 4.15   | 3.96   | 4.38  | 3.61  |                      |
| 3.65   | 3.80   | 3.81  | 3.75  |                      |
| 9.322  | 9.289  |       |       |                      |
| 0.929  | 0.880  | 0.910 | 0.894 |                      |
| 0.896  | 0.889  | 0.875 | 0.898 |                      |
| 3.399  | 3.461  | 3.402 | 3.469 |                      |
| 3.465  | 3.462  | 3.475 | 3.457 |                      |
| 4.160  | 5.916  |       |       |                      |
| 6.747  | 6.715  |       |       |                      |
| 0.273  | 0.261  | 0.289 | 0.238 |                      |
| 0.240  | 0.250  | 0.251 | 0.247 |                      |

| 1     | 2     | 3     | 4     | 5   | 6   | 7   | 8   |
|-------|-------|-------|-------|-----|-----|-----|-----|
| 44.21 | 43.63 | 43.39 | 44.69 |     |     |     |     |
| N/A   | N/A   | N/A   | N/A   |     |     |     |     |
| N/A   | N/A   | N/A   | N/A   | N/A | N/A | N/A | N/A |
| N/A   | N/A   | N/A   | N/A   | N/A | N/A | N/A | N/A |
| 45.01 | 44.62 | 44.76 | 46.21 |     |     |     |     |
| 56.89 | 52.01 | 56.79 | 53.11 |     |     |     |     |
| N/A   | N/A   | N/A   | N/A   | N/A | N/A | N/A | N/A |
| N/A   | N/A   | N/A   | N/A   | N/A | N/A | N/A | N/A |
| N/A   | N/A   | N/A   | N/A   | N/A | N/A | N/A | N/A |
| N/A   | N/A   | N/A   | N/A   | N/A | N/A | N/A | N/A |
| N/A   | N/A   | N/A   | N/A   | N/A | N/A | N/A | N/A |
| 38.75 | 39.26 | 38.98 | 39.37 |     |     |     |     |

| Girdle facet, °      | 1     | 2     | 3     | 4     |
|----------------------|-------|-------|-------|-------|
| Girdle facet angle   | 89.65 | 89.80 | 88.81 | 89.21 |
| Girdle facet azimuth | 0.2   | 90.9  | 180.2 | 270.7 |



| Culet shift ratio by width & length       |                   |
|---|-------------------|
| Width-wise culet shift ratio (by width)   | 3.305 mm, 50.15 % |
| Length-wise culet shift ratio (by width)  | 4.043 mm, 61.36 % |
| Width-wise culet shift ratio (by length)  | 3.284 mm, 49.85 % |
| Length-wise culet shift ratio (by length) | 4.216 mm, 63.98 % |