

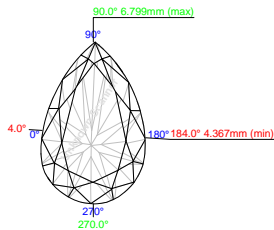
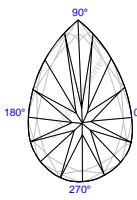
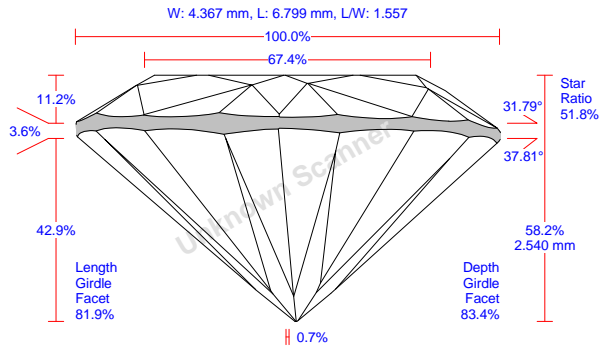
# DIAMCALC ILLUSTRATED REPORT

Polished Pear

Model  
 Expert name  
 Report date  
 Real weight, ct  
 Calculated weight, ct 0.4319  
 Spread 0.10ct, 18.78%  
 Measurements, mm (4.367 - 6.799) x 2.540 mm  
 Extra Facet / Nat No

## Average values, mm

Crown height	Pavilion depth	Table	Culet	Girdle		
				Bezel	Bone	Valley
0.491	1.872	3.838	0.031	0.155	0.189	0.106



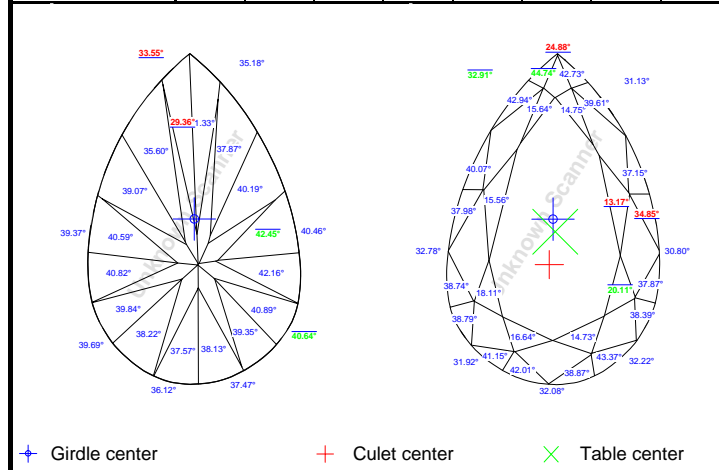
Appraiser title  
 Overall cut quality  
 Overall symmetry quality

AGS\_2005  
 N/A  
 PR

Symmetry	
Polish	
Color	
Clarity	
Fluorescence	

Parameters	Avg	Min	Max	Dev	Cut	Sym
Diameter, mm		4.367	6.799	Ratio: 1.557	N/A	-
Crown mains angle, °	31.79	30.80	32.78	1.98	N/A	GD
Crownnock angle, °	28.48	24.88	32.08	7.19	-	-
Crown other angle, °	32.05	31.13	32.91	1.78	-	-
Pavilion mains angle, °	N/A	N/A	N/A	N/A	N/A	PR
Pavilionnock angle, °	35.18	35.18	35.18	0.00	-	-
Pavilion other angle, °	38.18	33.55	40.64	7.08	-	-
Total height, %	58.16				N/A	-
Crown height, %	11.25	9.42	12.97	3.55	N/A	FR
Pavilion depth, %	42.88	40.25	45.02	4.77	N/A	PR
Table, %	67.45	61.44	73.46	12.02	N/A	N/A
Upper girdle angle, °	39.95	34.85	44.74	9.90	-	PR
Star angle, °	16.09	13.17	20.11	6.93	-	PR
Lower girdle angle / Halves angle, °	38.34	29.36	42.45	13.09	-	N/A
Star : Upper ratio, %	51.80: 48.20	44.44: 55.56	57.18: 42.82	12.74	-	PR
Culet, %	0.70	0.33	0.97	0.64	N/A	EX
Twist, °	10.14	4.79	14.97	10.18	-	PR
Girdle Bezel, %	3.56	2.61	4.26	1.64	N/A	GD
Girdle Bone, %	4.33	2.94	5.94	3.00	-	FR
Girdle Valley, %	2.42	1.04	2.96	1.92	N/A	GD

Azimuths, °	1	2	3	4	5	6	7	8
Pavilion	350.8	23.9	40.4	141.8	162.0	189.2	238.5	306.6
Lower girdle facets / Pavilion halves	15.9	28.3	35.4	52.4	126.5	146.1	157.9	167.3
Crown, °	3.7	28.7	93.7	151.4	180.6	215.9	271.9	321.6
Upper girdle facets	8.5	23.7	35.8	49.4	130.5	145.8	156.8	176.2
Star facets	187.8	207.1	229.6	263.0	286.0	307.6	332.5	357.1
	14.1	36.9	141.2	168.0	194.8	244.5	295.3	346.7



✦ Girdle center      ✦ Culet center      ✦ Table center

1	2	3	4	5	6	7	8
32.78	30.80						
24.88	32.08						
32.91	31.13	32.22	31.92	N/A	N/A	N/A	N/A
N/A	N/A						
35.18	N/A						
40.46	33.55	39.37	39.69	36.12	37.47	40.64	N/A
12.48	9.78	9.73	9.42	10.97	12.27	12.97	12.37
42.17	43.60	44.57	44.26	45.02	42.91	40.26	40.25
37.98	40.07	42.94	44.74	42.73	39.61	37.15	34.85
37.87	38.39	43.37	38.87	42.01	41.15	38.79	38.74
15.56	15.64	14.75	13.17	20.11	14.73	16.64	18.11
42.45	40.19	37.87	31.33	29.36	35.60	39.07	40.59
40.82	39.84	38.22	37.57	38.13	39.35	40.89	42.16
50.43: 49.57	44.44: 55.56	52.24: 47.76	52.14: 47.86	54.59: 45.41	57.18: 42.82	54.41: 45.59	48.97: 51.03
12.81	4.79	9.53	8.58	14.97	N/A	N/A	N/A
3.50	3.35	2.61	3.66	3.56	3.92	4.26	3.60
3.99	4.28	4.90	4.19	3.36	5.94	5.07	2.94
2.32	2.43	2.55	2.61	2.96	2.83	2.64	2.76
2.04	2.19	2.71	2.83	2.39	2.87	1.04	1.51

Offset (by table axis)	Distance	Width wise	Length wise
Culet-Table, %	15.74 ± 0.28	2.79	15.49
Girdle-Culet, %	21.47 ± 0.27	1.75	21.40
Girdle-Table, %	6.00 ± 0.24	1.05	5.91
Culet-Table, mm	0.687 ± 0.012	0.122	0.676
Girdle-Culet, mm	0.937 ± 0.012	0.076	0.934
Girdle-Table, mm	0.262 ± 0.011	0.046	0.258

